

GP Flanged Coupler

May, 2021

MATERIAL

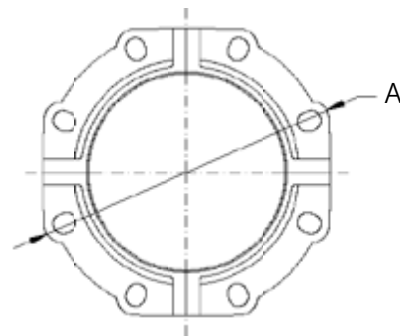
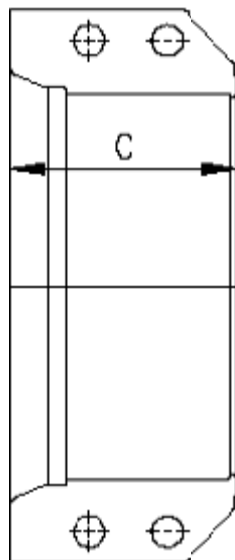
- **Body:** Hot galvanized Spheroidal cast iron GGG40 (ASTM A-536). The inner surface of the coupling has special stainless steel teeth.
- **Gasket:** EPDM.
- VITON or other gasket materials upon special request.
- **Bolts:** galvanized carbon steel.

SPECIFICATIONS

- **Pressure & temperature rating:** suitable for the full pressure and temperature range of Pexgol pipes from class 10 to class 30.

NOTES

- Fix point clamps should be used after GP Flange Coupler in order to prevent pipe pull-out.



Compatibility with international flange standards

Catalog Number	Pipe OD (mm)	Nominal Flange size		DIN			ANSI			BSTD
		DN (mm)	In.	2632	2633	2634	125	150	300	
				10	16	25				
50806320	63	50	2"	V	V	V	V	V	V	-
50807525	75*	65	2 1/2"	V	V	-	V	V	-	-
50809030	90	80	3"	V	V	V	V	V	V	-
50811040	110	100	4"	V	V	V	V	V	V	V
50812540	125	100	4"	V	V	V	V	V	V	V
50814060	140	150	6"	V	V	-	V	V	-	V
50816060	160	150	6"	V	V	-	V	V	-	V
50818060	180	150	6"	V	V	-	V	V	-	V
50820080	200	200	8"	V	-	-	V	V	-	V
50822580	225	200	8"	V	V	-	V	V	-	V
50825010	250	250	10"	V	V	-	V	V	-	-
50828010	280 ASA	-	10"	-	V	-	V	V	-	-
50928010	280 BS	250		-	-	-	-	-	-	V
50831512	315	300	12"	-	V	-	V	V	-	V
50835514	355	350	14"	-	-	-	V	V	-	V
50840016	400	400	16"	-	-	-	V	V	-	-
50845018	450	450	18"	-	-	-	V	V	-	-
50850020	500	500	20"	V	V	-	V	V	-	-
50863024	630	-	24"	-	-	-	V	V	-	-
50871028	710	-	28"	-	-	-	V	V	-	-

General dimensions of flanged couplings and bolts for connecting two quarters of coupler

Catalog Number	Outside diameter of pipe (mm)	Nominal Flange size		A	C	Bolt size (in.)	Bolt length (mm)*	No. of bolts	Weight (kg)
		DN	in.						
50806320	63	50	2	165	70	3/8"	40	4	2.7
50807525	75*	65	2 1/2"	185	80	1/2"	45	4	2.5
50809030	90	80	3	208	96	1/2"	45	4	4.0
50811040	110	100	4	242	110	5/8"	45	8	6.5
50812540	125	100	4	242	110	5/8"	45	8	8
50814060	140	150	6	285	120	5/8"	50	8	10
50816060	160	150	6	285	120	5/8"	50	8	11.2
50818006	180	150	6	285	119	5/8"	50	8	12.1
50820080	200	200	8	348	130	5/8"	50	8	13.0
50822580	225	200	8	344	130	5/8"	50	8	12.4
50825010	250	250	10	410	150	5/8"	60	8	17.0
50828010	280 ASA		10	405	160	5/8"	60	8	20.0
50928010	280 BS	250		405	160	5/8"	60	8	20.0
50831512	315	300	12	475	180	3/4"	70	8	27.7
50835514	355	350	14	535	200	3/4"	70	8	40.0
50840016	400	400	16	600	215	3/4"	70	8	55.0
50845018	450	450	18	635	235	3/4"	70	8	65.0
50850020	500	500	20	715	280	3/4"	80	8	68.0
50863024	630		24	840	280	3/4"	80	8	86.0
50871028	710		28	930	320	3/4"	80	8	135.0

Notes:

- (*) For a 75 mm flange coupler a special production is required and therefore a minimum quantity order is required.

Bolts for connecting two flanged couplings

Pexgol Pipe diameter	Flange size	Bolt size**	Bolt length (mm)**	No.of bolts	Torque N x m	Torque lb x ft
63	2"	5/8"	50	4	81	60
75	2 ½"	5/8"	50	4	81	60
90	3"	5/8"	50	4	81	60
110	4"	5/8"	50	8	81	60
125	4"	5/8"	50	8	81	60
140	6"	3/4"	60	8	136	100
160	6"	3/4"	60	8	136	100
180	6"	3/4"	60	8	136	100
200	8"	3/4"	60	8	136	100
225	8"	3/4"	60	8	136	100
250	10"	7/8"	70	12	217	160
280	10"	7/8"	70	12	217	160
315	12"	7/8"	70	12	217	160
355	14"	1"	70	12	332	245
400	16"	1"	75	16	332	245
450	18"	1-1/8"	75	16	481	355
500	20"	1-1/8"	100	20	481	355
560	22"	1-1/4"	100	20	580	427
630	24"	1-1/4"	110	20	678	500
710	28"	1-1/4"	110	28	776	572

Notes:

- Torquening the bolts should be done in a crisscross manner.
- When connecting a flange coupler with a flared end, the torquening values of the flared end are the ones that should be use.